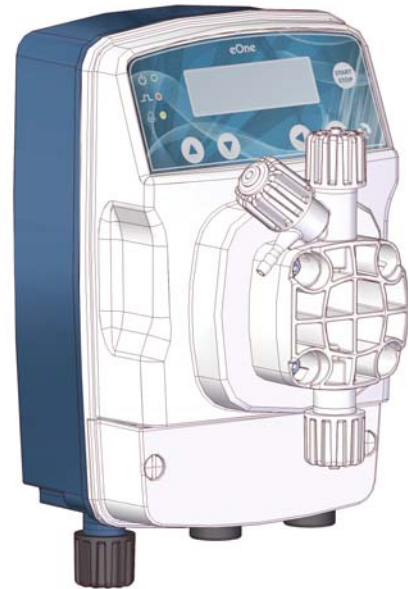


DOSING PUMP eOne series – type MF

TECHNICAL FEATURES

- *Flow rate:* from 1 to 30 l/h
- *Maximum pressure:* up to 20 bar
- *Power supply range:* 100÷250 Vac – 50/60 Hz
- *Stroke rate:* from 180 to 300 impulses/min
- *Pump Head:* PVDF
- *Diaphragm:* PTFE
- *Air bleed:* Manual
- *External casing:* Reinforced PP and chemical resistant
- *Installation kit:* Included



The new range of Etatron DS Dosing Pumps, the **eOne series**, represents an important step forward. Featuring high stroke rates, low energy consumption, accuracy, repeatability and flow rate variation control in relation to pressure changes.

The eOne MF is a **multifunction digital electromagnetic dosing pump** with user-configurable menu, flow calibration procedure, proportional modes 1xN, 1xN(m), 1/N, PPM, ml x impulses, ml x mc, mA and Alarm relay output.

The pump can receive a variable voltage range between **100 and 250 Vac 50/60Hz** without affecting performance. The standard version has the pump head made entirely of **PVDF**, a highly resistant polymer, with seals in **TFE/P**, which is a new elastomer compatible with a wide variety of chemicals, both acidic and alkaline.

All “**eOne**” pumps are equipped with manual air bleed pump head, except for the models 2007 and 3005.

The pump is supplied with an installation kit made of PVDF-TFE/P injection valve, PVDF-TFE/P foot filter, PE discharge tube, PVC suction tube, wall mounting plate with plugs and screws.

DOSING PUMP eOne series – type MF

CONFIGURATIONS

MODEL					
PEU47	Multifunction digital dosing pump. Proportional modes. Daily and weekly timer. Configurable alarm relay. Level control setting. UNDERLOAD – suction alarm, OVERLOAD – discharge alarm. Flow's calibration.				
FEATURES					
Version	Flow rate l/h – (US gal/h)	Pressure Bar (PSI)			
389	0110	1.0 (0.26)	10 (145)		
391	0216	2.0 (0.52)	16 (232)		
392	0420	4.0 (1.04)	20 (290)		
393	0607	6.0 (1.58)	7 (101)		
394	0710	7.0 (1.86)	10 (145)		
395	1012	10.0 (2.64)	12 (174)		
396	1505	15.0 (3.96)	5 (72)		
397	2007	20.0 (5.28)	7 (101)		
386	3005	30.0 (7.91)	5 (72)		
OPTIONS					
41	PVDF pump head and installation kit, TFE/P sealings				
PEU47	394	41	EONE MF 0710 100/250V PVDF-TFE/P pump head		

INSTALLATION KIT

- PVDF Injection Valve
- PVDF Foot Filter
- PE tube (2m)
- PVC CRYSTAL tube (4m)
- wall mounting plate
- 4 plugs and screws
- Instruction manual

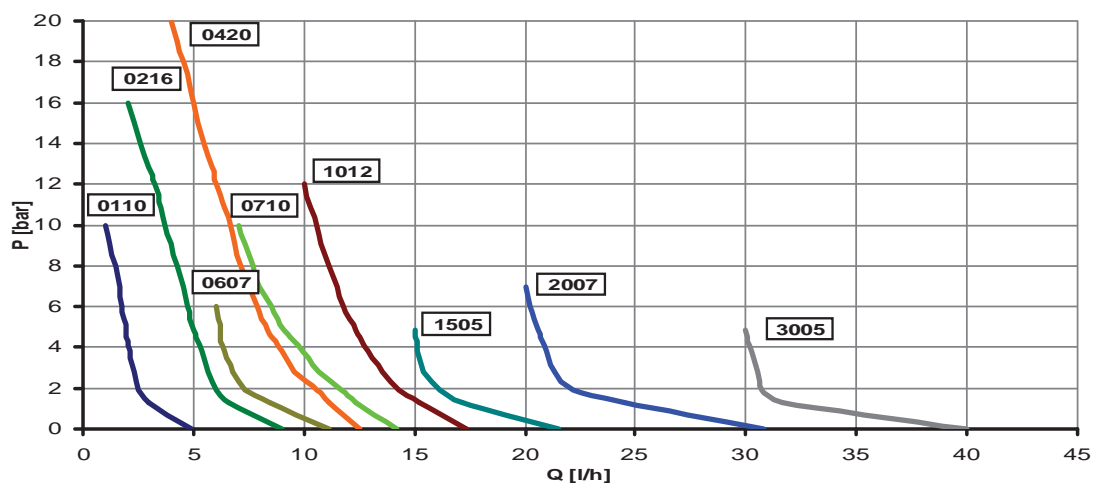
INPUTS /OUTPUTS

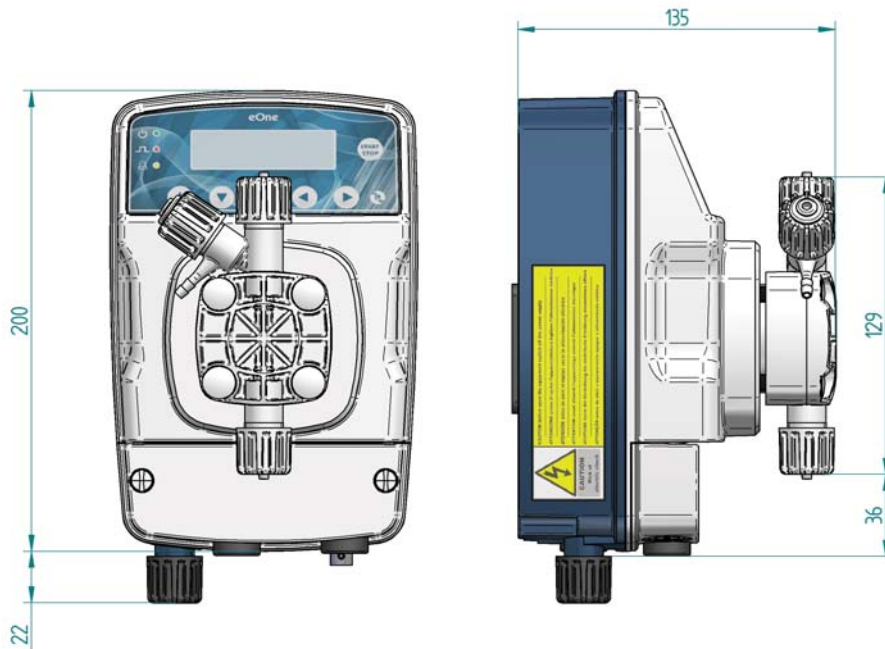
- 4-20mA input
- Watermeter input
- Level probe input
- Flow sensor input (reed contact)
- Alarm relay output (configurable NO-NC)

DOSING PUMP eOne series – type MF

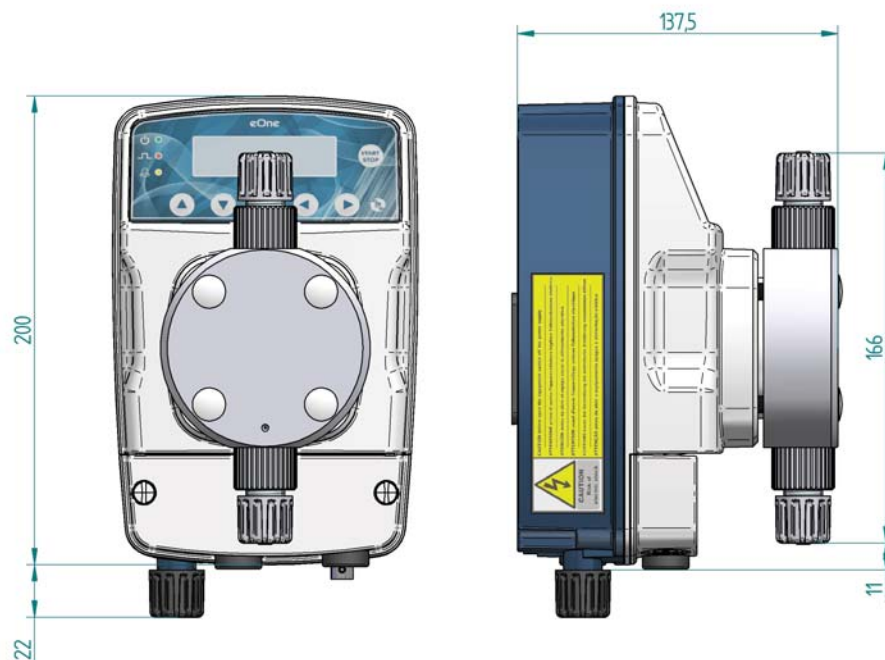
PUMP TECHNICAL DETAILS

Model	Flow rate l/h - (US gal/h)	Pressure bar – (psi)	Injection volume [cc]	Max frequency [imp/min]	Connections [mm]	Power supply	Power Consumption Min / Max [W]
0110	1,0 (0,264)	10 (145)	0,09	180	4 / 6	100 ÷ 250 Vac 50 – 60 Hz	5 / 23
	1,8 (0,475)	6 (87)	0,16				
	2,5 (0,660)	2 (29)	0,23				
0216	2,0 (0,528)	16 (232)	0,11	300	4 / 6	100 ÷ 250 Vac 50 – 60 Hz	7 / 26
	3,8 (1,008)	10 (145)	0,21				
	5,1 (1,354)	6 (73)	0,29				
0607	6,0 (1,584)	7 (102)	0,33	300	4 / 6	100 ÷ 250 Vac 50 – 60 Hz	5 / 23
	6,3 (1,674)	4 (58)	0,35				
	7,3 (1,930)	2 (29)	0,41				
0420	4,0 (1,056)	20 (290)	0,22	300	4 / 6	100 ÷ 250 Vac 50 – 60 Hz	10 / 32
	6,0 (1,584)	12 (174)	0,33				
	7,3 (1,930)	8 (116)	0,40				
0710	7,0 (1,859)	10 (145)	0,39	300	4 / 6	100 ÷ 250 Vac 50 – 60 Hz	7 / 26
	8,5 (2,244)	6 (87)	0,47				
	11,7 (3,081)	2 (29)	0,65				
1012	10,0 (2,640)	12 (174)	0,56	300	4 / 6	100 ÷ 250 Vac 50 – 60 Hz	10 / 32
	11,8 (3,113)	6 (87)	0,66				
	14,3 (3,765)	2 (29)	0,79				
1505	15,0 (3,960)	5 (73)	0,83	300	4 / 6	100 ÷ 250 Vac 50 – 60 Hz	7 / 26
	15,4 (4,068)	3 (44)	0,86				
	17,2 (4,541)	1 (15)	0,96				
2007	20,0 (5,280)	7 (102)	1,11	300	6 / 8	100 ÷ 250 Vac 50 – 60 Hz	10 / 35
	21,3 (5,623)	3 (44)	1,18				
	28,2 (7,445)	0,5 (7)	1,57				
3005	30,0 (7,910)	5 (72)	1,66	300	6 / 8	100 ÷ 250 Vac 50 – 60 Hz	10 / 35
	30,8 (8,118)	2 (44)	1,71				
	36,5 (9,636)	0,5 (7)	2,03				



DOSING PUMP eOne series – type MF**DIMENSIONS**

Models: 0110, 0216, 0420, 0607, 0710, 1012, 1505



Models: 2007 and 3005