

## DOSING PUMP eOne series – type MA

### TECHNICAL FEATURES

- *Flow rate:* from 1 to 30 l/h
- *Maximum pressure:* up to 20 bar
- *Power supply range:* 100÷250 Vac – 50/60 Hz
- *Stroke rate:* from 180 to 300 impulses/min
- *Pump Head:* PVDF
- *Diaphragm:* PTFE
- *Air bleed:* Manual
- *External casing:* Reinforced PP and chemical resistant
- *Installation kit:* Included



The new range of Etatron DS Dosing Pumps, the **eOne series**, represents an important step forward. Featuring high stroke rates, low energy consumption, accuracy, repeatability and flow rate variation control in relation to pressure changes.

The eOne MA is an **analogue electromagnetic dosing pump with constant flow** driven by a microcontroller electronic board. Manual flow rate adjustment by a knob on the frontal panel. Flow rate regulation: **0 – 20% and 0 – 100%**. Proportional mode 1:1

The pump can receive a variable voltage range between **100 and 250 Vac 50/60Hz** without affecting performance. The standard version has the pump head made entirely of **PVDF**, polymer highly resistant, with all sealings in **TFE/P**, which is a new elastomer compatible with a wide variety of chemicals, both acidic and alkaline.

All “**eOne**” pumps are equipped with manual air bleed pump head, except for the models 2007 and 3005.

The pump is supplied with an installation kit made of PVDF-TFE/P injection valve, PVDF-TFE/P foot filter, PE discharge tube, PVC suction tube, wall mounting plate with plugs and screws.

## DOSING PUMP eOne series – type MA

### CONFIGURATIONS

MODELS					
<b>PEU45</b>	Analogue manual dosing pump. Adjustable flow. Flow rate regulation 0-20% and 0-100%. Proportional mode 1:1. Level control setting. UNDERLOAD – suction alarm, OVERLOAD – discharge alarm				
FEATURES					
Version	Flow rate l/h – (US gal/h)	Pressure Bar (PSI)			
<b>389</b>	0110	1.0 (0.26)	10 (145)		
<b>391</b>	0216	2.0 (0.52)	16 (232)		
<b>392</b>	0420	4.0 (1.04)	20 (290)		
<b>393</b>	0607	6.0 (1.58)	7 (101)		
<b>394</b>	0710	7.0 (1.86)	10 (145)		
<b>395</b>	1012	10.0 (2.64)	12 (174)		
<b>396</b>	1505	15.0 (3.96)	5 (72)		
<b>397</b>	2007	20.0 (5.28)	7 (101)		
<b>386</b>	3005	30.0 (7.91)	5 (72)		
OPTIONS					
<b>41</b>	PVDF pump head and installation kit, TFE/P sealings				
<b>PEU45</b>	<b>394</b>	<b>41</b>	EONE MA 0710 100/250V PVDF-TFE/P pump head		

### INSTALLATION KIT

- PVDF Injection Valve
- PVDF Foot Filter
- PE tube (2m)
- PVC CRYSTAL tube (4m)
- wall mounting plate
- 4 plugs and screws
- Instruction manual

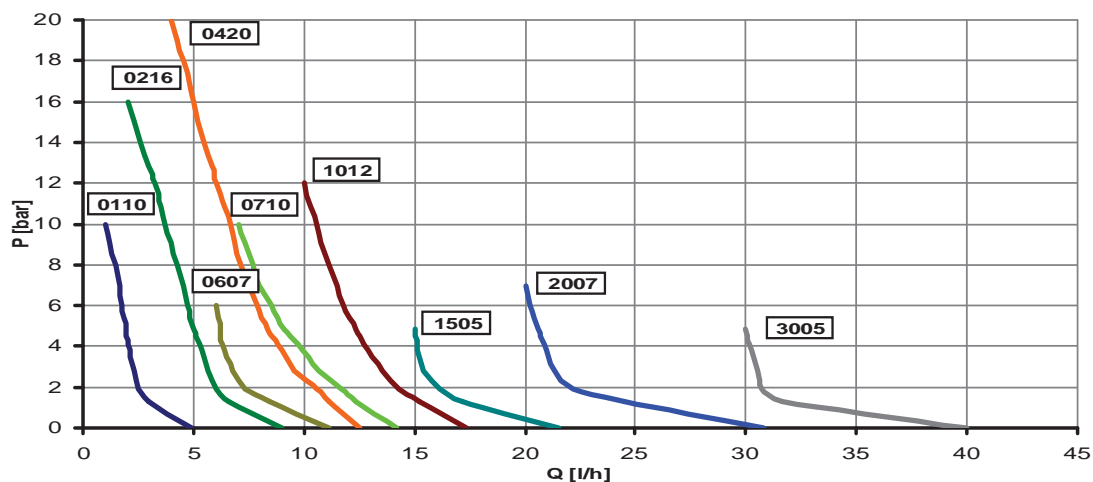
### INPUTS

- Level probe
- 1:1 watermeter signal

## DOSING PUMP eOne series – type MA

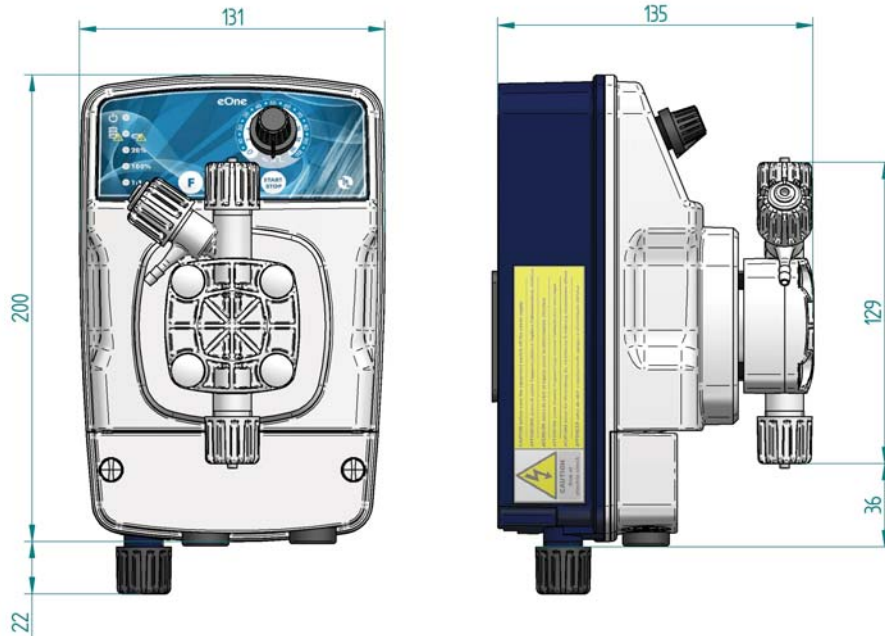
### PUMP TECHNICAL DETAILS

Model	Flow rate l/h - (US gal/h)	Pressure bar – (psi)	Injection volume [cc]	Max frequency [imp/min]	Connections [mm]	Power supply	Power Consumption Min / Max [W]
<b>0110</b>	1.0 (0.264)	10 (145)	0.09	180	4 / 6	100 ÷ 250 Vac 50 – 60 Hz	5 / 23
	1.8 (0.475)	6 (87)	0.16				
	2.5 (0.660)	2 (29)	0.23				
<b>0216</b>	2.0 (0.528)	16 (232)	0.11	300	4 / 6	100 ÷ 250 Vac 50 – 60 Hz	7 / 26
	3.8 (1.008)	10 (145)	0.21				
	5.1 (1.354)	6 (73)	0.29				
<b>0607</b>	6.0 (1.584)	7 (102)	0.33	300	4 / 6	100 ÷ 250 Vac 50 – 60 Hz	5 / 23
	6.3 (1.674)	4 (58)	0.35				
	7.3 (1.930)	2 (29)	0.41				
<b>0420</b>	4.0 (1.056)	20 (290)	0.22	300	4 / 6	100 ÷ 250 Vac 50 – 60 Hz	10 / 32
	6.0 (1.584)	12 (174)	0.33				
	7.3 (1.930)	8 (116)	0.40				
<b>0710</b>	7.0 (1.859)	10 (145)	0.39	300	4 / 6	100 ÷ 250 Vac 50 – 60 Hz	7 / 26
	8.5 (2.244)	6 (87)	0.47				
	11.7 (3.081)	2 (29)	0.65				
<b>1012</b>	10.0 (2.640)	12 (174)	0.56	300	4 / 6	100 ÷ 250 Vac 50 – 60 Hz	10 / 32
	11.8 (3.113)	6 (87)	0.66				
	14.3 (3.765)	2 (29)	0.79				
<b>1505</b>	15.0 (3.960)	5 (73)	0.83	300	4 / 6	100 ÷ 250 Vac 50 – 60 Hz	7 / 26
	15.4 (4.068)	3 (44)	0.86				
	17.2 (4.541)	1 (15)	0.96				
<b>2007</b>	20.0 (5.280)	7 (102)	1.11	300	6 / 8	100 ÷ 250 Vac 50 – 60 Hz	10 / 35
	21.3 (5.623)	3 (44)	1.18				
	28.2 (7.445)	0.5 (7)	1.57				
<b>3005</b>	30.0 (7.910)	5 (72)	1.66	300	6 / 8	100 ÷ 250 Vac 50 – 60 Hz	10 / 35
	30.8 (8.118)	2 (44)	1.71				
	36.5 (9.636)	0.5 (7)	2.03				

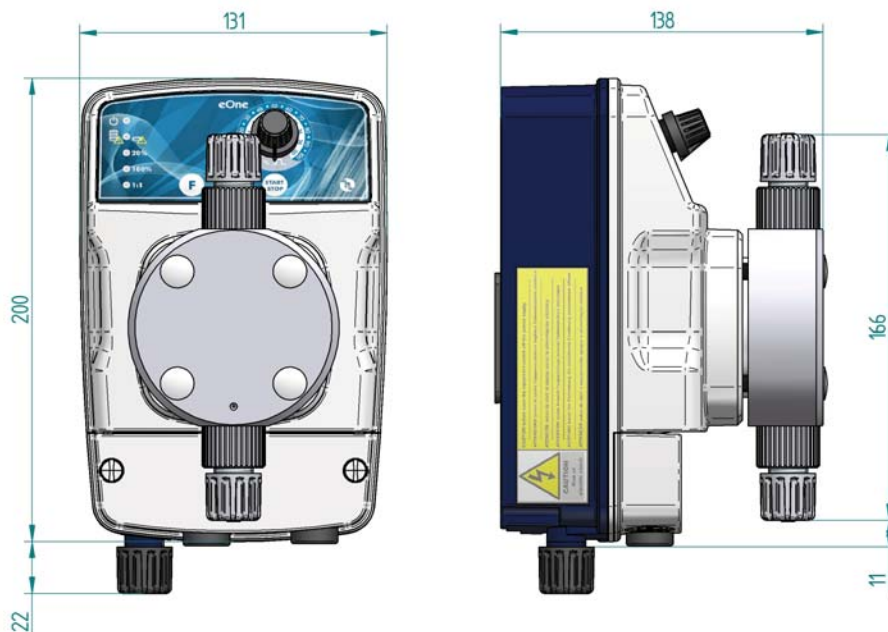


## DOSING PUMP eOne series – type MA

### DIMENSIONS



Models: 0110, 0216, 0420, 0607, 0710, 1012, 1505



Models: 2007 and 3005